

## CONSTRUCTION

Horizontal end suction, free shaft end centrifugal pump,  
Multi stages, composed of :

- Suction cover;
- Intermediate guide blade diffusers;
- volute pump casing;
- External tie-rods for suction cover and diffusers fastening to pump casing;
- Closed type impellers;
- Bearing stand.

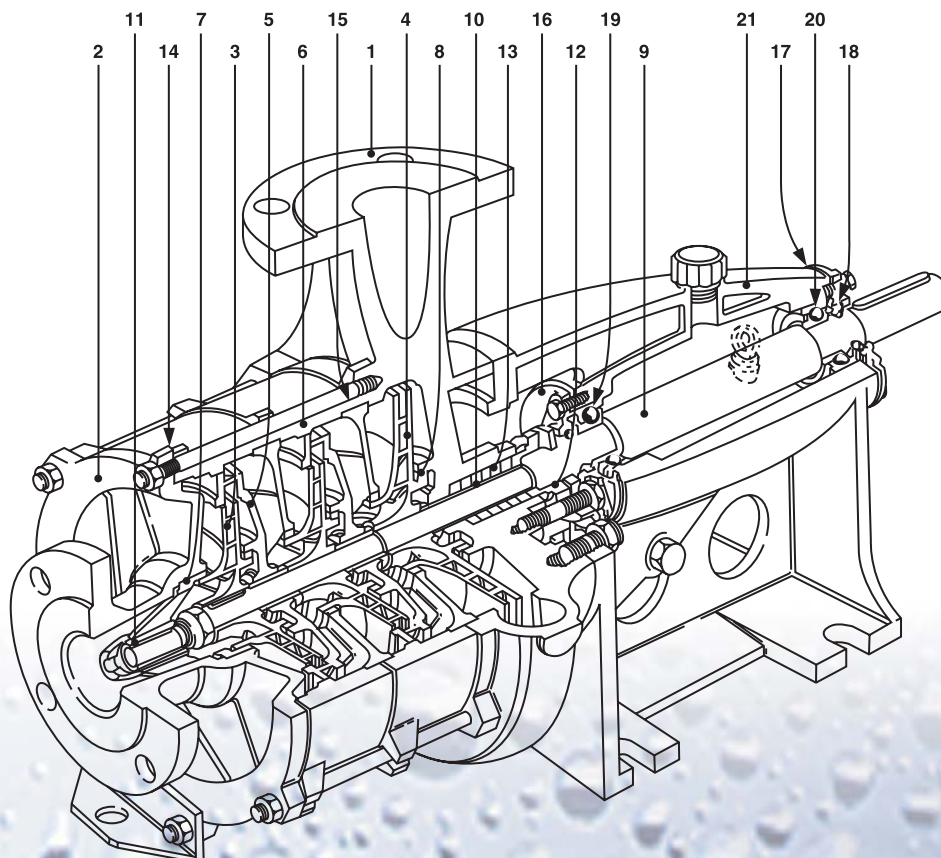
**Suction port : axial ;**

**Discharge port:** radial, top-directed with the possibility, on request, to be horizontally positioned by 90° on both sides. Two impeller wear rings, easily replaceable, are lined in the pump casing and in each diffuser. The shaft is loaded by large-size bearings, housed in bearing stand and oil lubricated; shaft of two or more stage pumps, is guided by an additional bushing housed in the suction cover. Adjustable packing-seal, easily replaceable, housed in the stuffing box contained in the pump casing ; through the packing, the shaft is protected by a polished hard-chromium hard-facing or by a chromium-plated sleeve. A heavy-duty bearing stand supports by over arm brace the wet assembly and at the same time, is the setting base; for two or more stages pumps a suction end foot support is provided

## APPLICATION

- Water supply for domestic
- Industrial and agricultural uses
- Municipalities
- Fix or mobiles rain-irrigation schemes
- Fire-fighting systems
- Pressure boosting plants

### Pump Construction and Materials



- 1. Delivery casing**  
cast iron
- 2. Suction casing**  
cast iron
- 3. Impeller**  
cast iron (option - bronze)
- 4. Impeller**  
cast iron (option - bronze)
- 5. Diffuser**  
cast iron
- 6. Stage casing**  
cast iron
- 7. Wear ring**  
cast iron
- 8. Wear ring**  
cast iron
- 9. Pump shaft**  
Carbon steel (option - stainless steel)
- 10. Shaft bush**  
Hard Chrome steel
- 11. Bearing bush**  
Bronze
- 12. Stuffing box**  
cast iron
- 13. Packing**  
Pure graphite
- 14. O - ring for suction cover**  
Rubber
- 15. O - ring for stage casing**  
Rubber
- 16. Bearing cover**  
cast iron
- 17. Gasket for bearing cover**  
Paper
- 18. Seal ring**  
Rubber
- 19. Bearing**  
Steel
- 20. Ball bearing**  
Steel
- 21. Pedestal**  
cast iron