

SELF-PRIMING CENTRIFUGAL PUMP

APPLICATION

- IRRIGATION
- WATER SUPPLY
- BUILDING SERVICES
- FISH AND SHELLFISH NURSERIES

FEATURES

• SUPERIOR DESIGN AND CONSTRUCTION

These self-priming centrifugal pumps, designed and manufactured by TAKI PUMP with years of experience, are simple in construction and easy to maintenance.

Fitted with various contrivances. They can all stand long use.

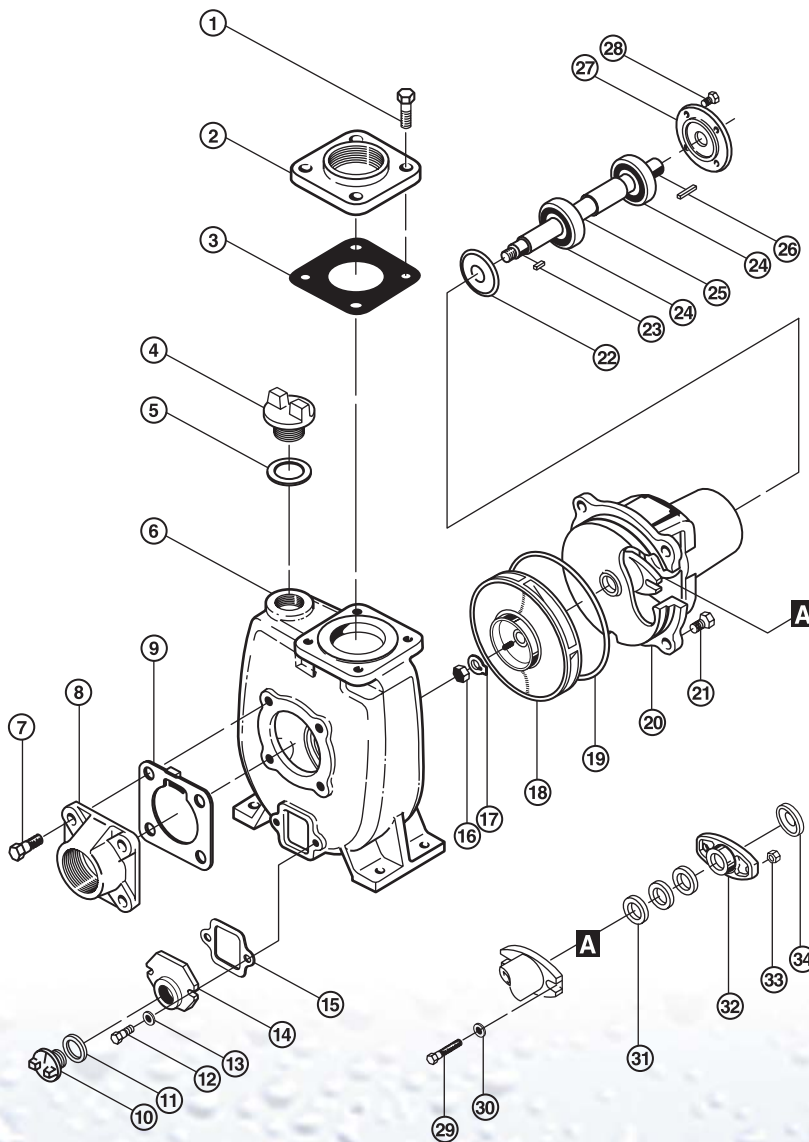
• NO NEED OILING

Oiling is not necessary as sealed ball bearings are adopted.

• HIGH EFFICIENCY

All models operate economically, showing high efficiency at a wide range of applications

CONSTRUCTION AND PARTS LIST



- 1 Discharge flange bolt
- 2 Discharge flange
- 3 Discharge flange packing
- 4 Priming cap
- 5 Priming cap packing
- 6 Casing
- 7 Suction flange bolt
- 8 Suction flange
- 9 Suction check valve
- 10 Drain cap
- 11 Drain cap packing
- 12 Drain cover bolt
- 13 Washer
- 14 Drain cover
- 15 Drain cover packing
- 16 Impeller nut
- 17 Impeller washer
- 18 Impeller
- 19 O-ring
- 20 Bracket
- 21 Bracket bolt
- 22 Bearing cover(inboard)
- 23 Impeller key
- 24 Ball bearing
- 25 Shaft
- 26 Key
- 27 Bearing cover (outboard)
- 28 Bearing cover bolt
- 29 Gland bolt
- 30 Gland bolt washer
- 31 Gland packing
- 32 Gland
- 33 Gland nut
- 34 Deflector